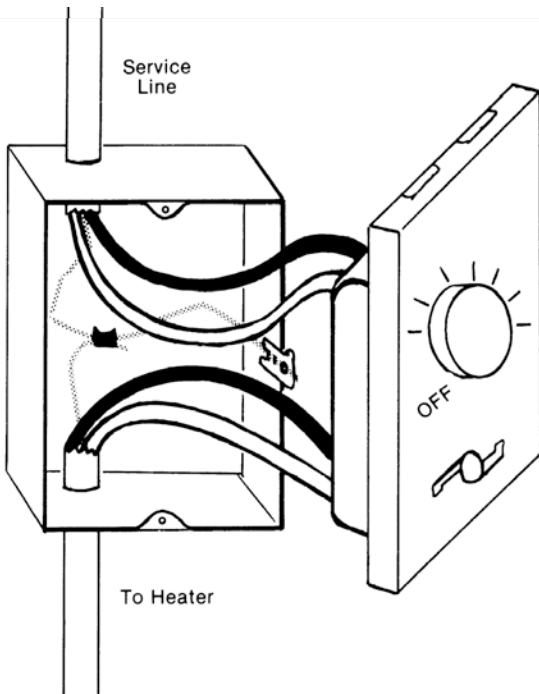


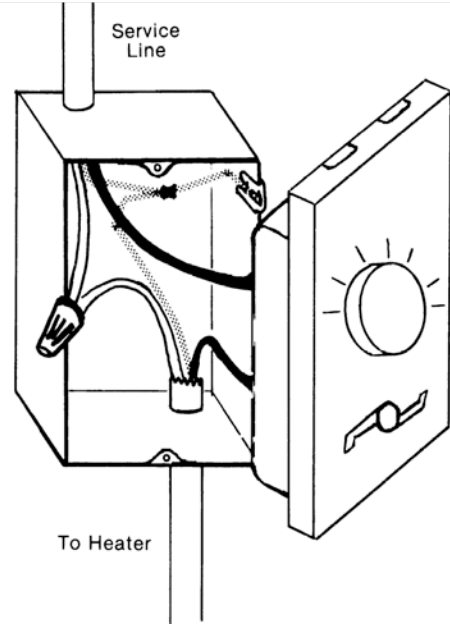


## HOW TO INSTALL WALL THERMOSTATS

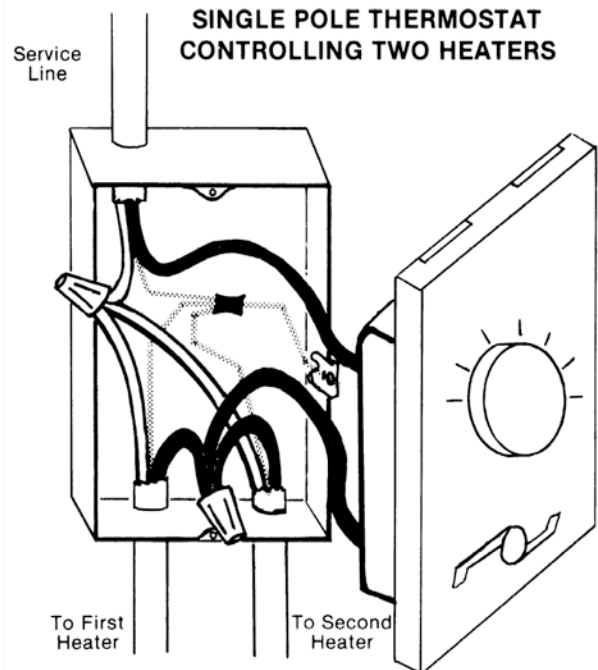
If you think of a thermostat as a light switch that turns on and off automatically, it may be easier to understand its application and installation. There are two basic types of line voltage thermostats. The single pole thermostat switches only one side of the line serving the heater. The double pole switches one side of the line to maintain correct temperature and both sides when the control is turned to its off position. Most good thermostats have a 22 amp rating and will handle up to 5,000 watts of heat. If over 5,000 watts are needed to heat a single room, we recommend using a low voltage thermostat with heat circuit relays. This method maintains the most even room temperatures and balances the work load between the heaters.



**DOUBLE POLE THERMOSTAT  
CONTROLLING ONE HEATER**



**SINGLE POLE THERMOSTAT  
CONTROLLING ONE HEATER**



**SINGLE POLE THERMOSTAT  
CONTROLLING TWO HEATERS**